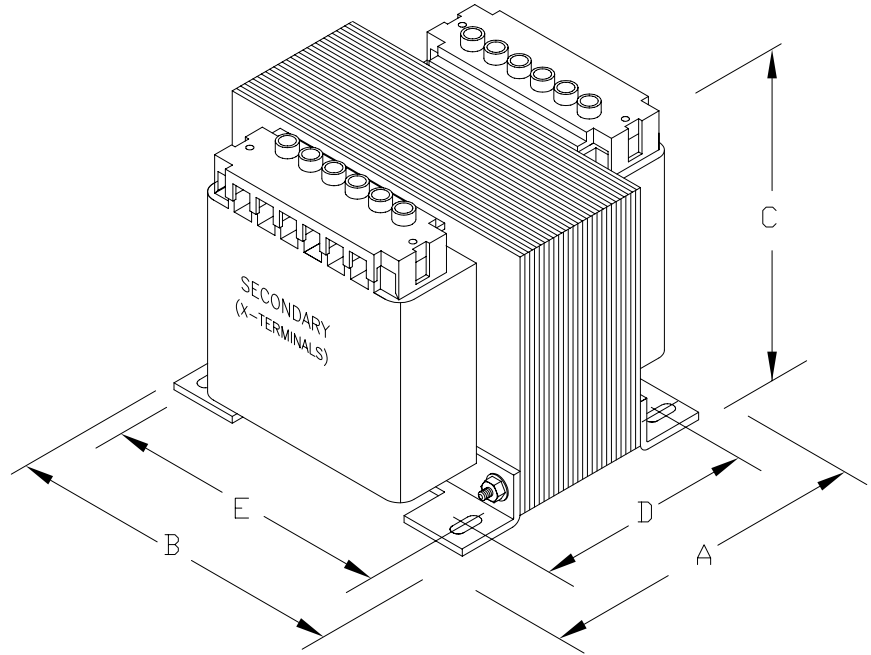


CONNECTION DIAGRAM



PROVIDED WITH SAFE TOUCH TERMINAL COVERS  
NO INTEGRAL FUSING CAPABILITY.

DIMENSIONS							APPROX. WT. LBS (KG)
	A	B	C	D	E	MTG. SLOTS	
INCHES (MM)	8.75 (222)	9.00 (229)	7.63 (194)	5.94 (151)	7.50 (191)	0.440X0.910 (11.2X23.1)	



CAT. NO. <b>B3K0-2271-GAH</b>		CONST. <b>ENCAPSULATED</b>		LISTED  CERTIFIED  IEC 61558	
		MODEL <b>GLOBALTRAN</b>			
<b>RATING</b>					
OUTPUT AMPS	26.09/13/04	PRIMARY V	208/230/400/460/575	TEMP. CLASS	HZ 50/60
VA	3000	SECONDARY V	115X230	180°C	REVISION <b>G</b>